

DESCRIPTION

The TEG250-15 is a Laboratory-quality, Synthesized RF Signal Source with minimum of 15dBm Output Power over a frequency range of 140 to 250MHz

The TEG250-5 is the smallest USB microwave synthesized source available and is also priced significantly below the current market offerings.

The source can be swept in step size as low as 1KHz between any two frequency in its specified range.

Applications include local oscillator for frequency conversion, DAC and ADC clock source, Scalar measurements and two or more can be combined for multi-tone testing . Use of the optional HUB allows the source to remain in a given state even after the host PC is removed from the system.

The unit also contains 0.5GB of flash memory used for installation files, test data and other supporting documentation. Drivers, utilities and documentation are available on the attenuator itself.

CALIBRATION

Full results of factory test data are stored in the each units flash memory and available through the USB interface.



RF DESIGN SERVICES



TEG250-15

 Rev A Nov 2010

BENEFITS

Synthesized RF Source

USB 2.0 Interface

140MHz to 250MHz

FEATURES

+15dBm Output

PC Software supported

Internal 10MHz Xtal Ref

-118dBc phase noise @100KHz

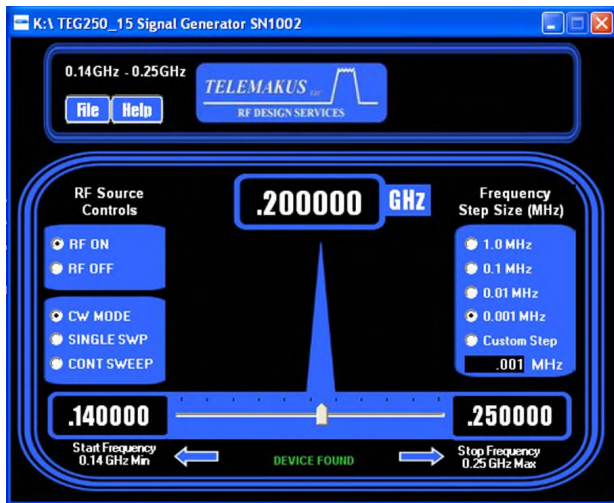


Actual Size

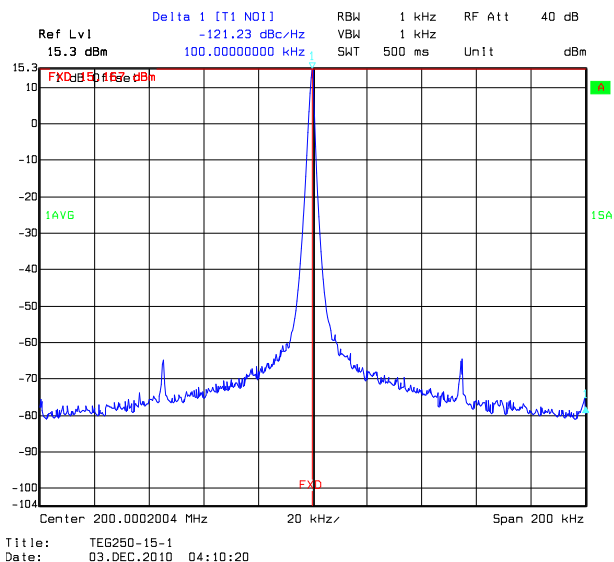


Phone: 916 458 6346
Fax: 916 983 8713
Email: mail@telemakus.com
www.telemakus.com

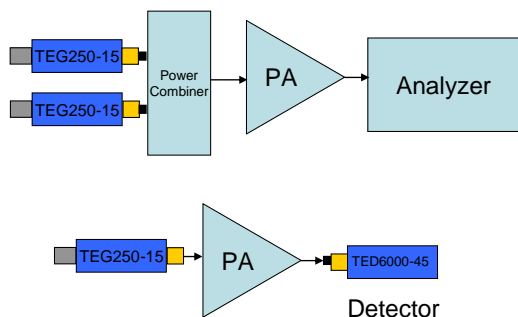
Primary Business Address
13405 Folsom Blvd #502
F O L S O M
C A , 9 5 6 3 0



Easy to use graphical Interface with both numeric entry or slider



Phase Noise Plot



Typical Configurations



TEG250-15 Rev I Nov 2010

Ordering information

Model	Frequency	Typ Output Power	Phase Noise
TEG3500-8	2.7-3.5GHz	+8dBm	-105dBc@100KHz
TEG2700-6	1.8GHz to 2.7GHz	+10dBm	-105dBc@100KHz
TEG1000-10	0.7 to 1GHz	+10dBm	-105dBc@100KHz
TEG250-15	140-250MHz	+15dBm	-118dBc@100KHz

Specifications

Parameter	Specification
Freq Range	140MHz to 250MHz
Internal Ref	10MHz (2 ppm)
Interface	USB 2.0
Current	150mA @5V
Step Size	1KHz
Phase Noise	-118dBc/Hz @100kHz
Power Output Control	+14dBm min +15dBm Typ
Spurious	-80dBc Typ
Pout Control	ON/OFF
RF Connectors	SMA Female
USB Connector	Mini A

Environmental

Temperature Range	-40 to +55 degC		
Not Environmentally sealed			

Phone: 916 458 6346
 Fax: 916 983 8713
 Email: mail@telemakus.com
 www.telemakus.com

Primary Business Address
 13405 Folsom Blvd #502
 Folsom
 CA,95630